



ASSEMBLY INSTRUCTIONS INSTRUCCIONES DE ENSAMBLE

CHEST OF DRAWERS 4/5 LEVELS CAJONERO 4/5 NIVELES

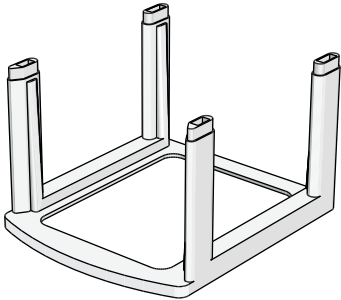
REFERENCES INFINITY / ECLYPSE / REFERENCIAS INFINITY / ECLYPSE



/ Assembly Parts

/ Piezas de Ensamble

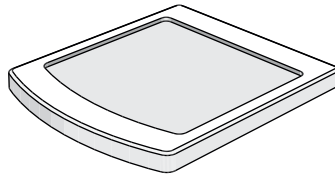
A



Frame
/ Armazón

4 Levels / 4 Niveles **X4**
5 Levels / 5 Niveles **X5**

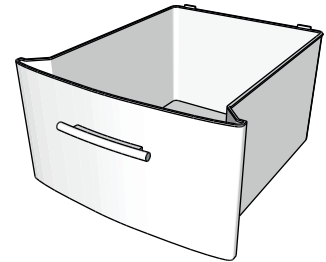
B



Cover / Tapa

4 Levels / 4 Niveles **X1**
5 Levels / 5 Niveles **X1**

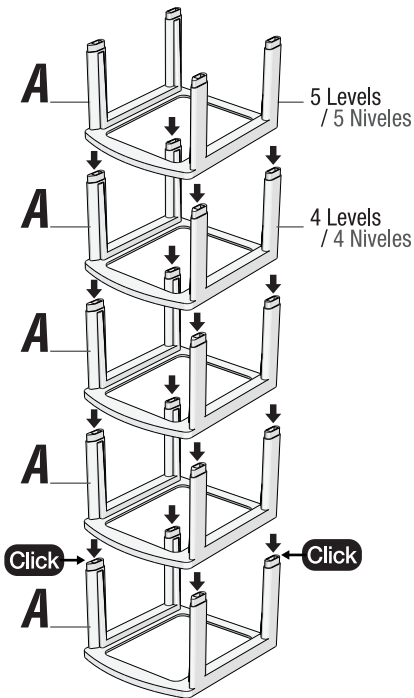
C



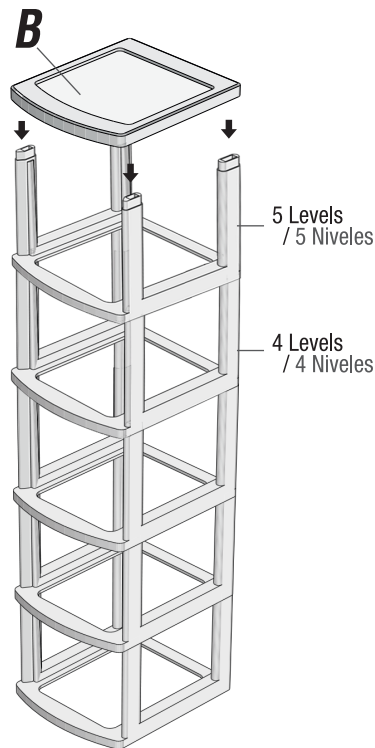
Drawer / Cajón

4 Levels / 4 Niveles **X4**
5 Levels / 5 Niveles **X5**

1



2



3

