



ASSEMBLY INSTRUCTIONS
INSTRUCCIONES DE ENSAMBLE

CHEST OF DRAWERS 3 LEVELS
GAVETERO 3 NIVELES

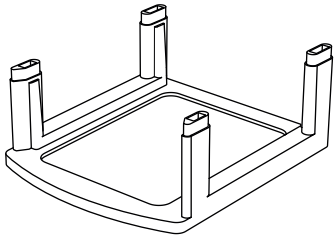
ECLYPSE REFERENCE / REFERENCIA ECLYPSE



/ Assembly Parts

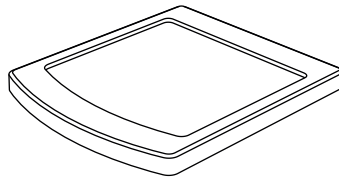
/ Piezas de Ensamble

A



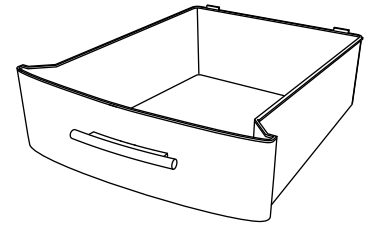
Frame / Armazón X3

B



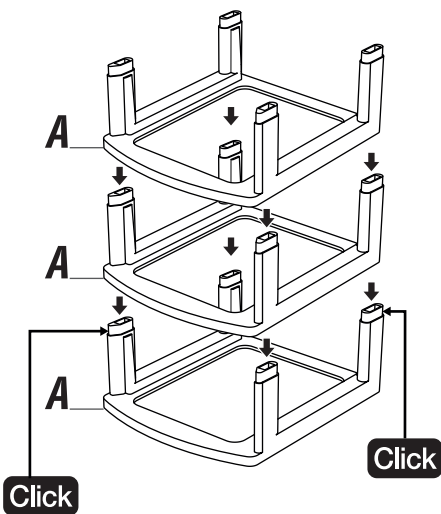
Cover / Tapa X1

C

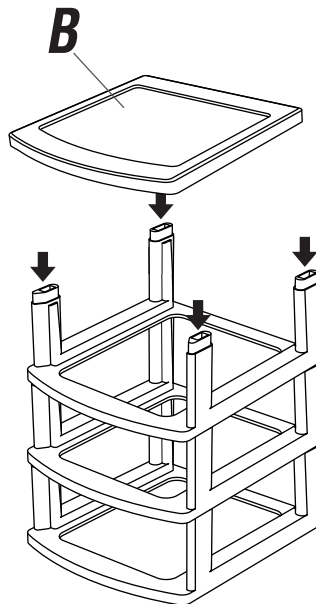


Drawer / Cajón X3

1



2



3

