

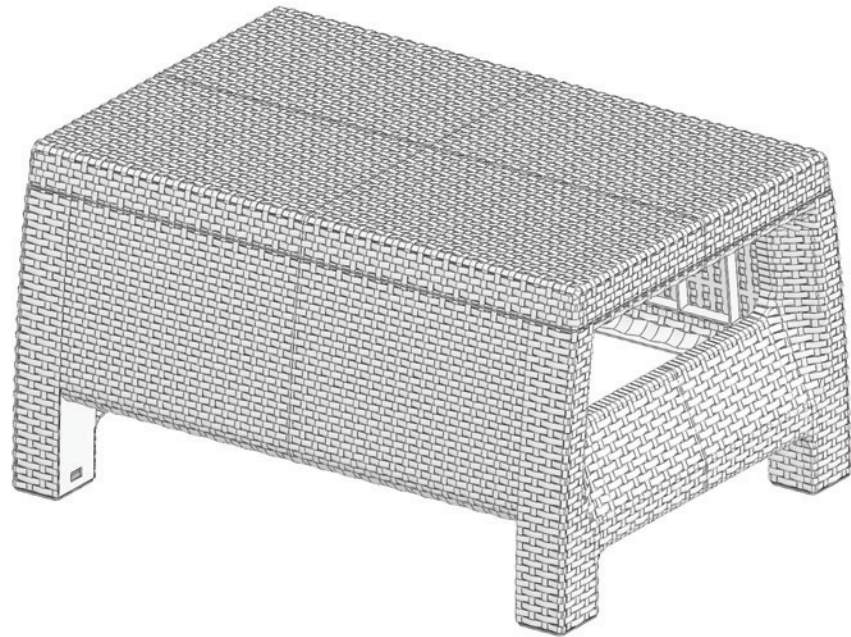


## ASSEMBLY INSTRUCTIONS / INSTRUCCIONES DE ENSAMBLE

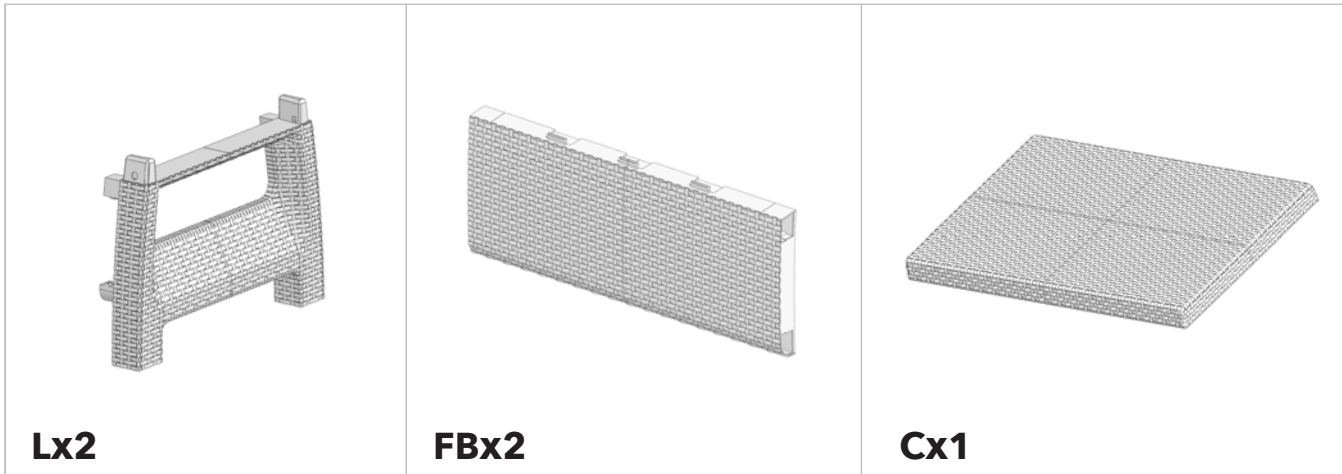
# FERRARA

## CENTER TABLE

MESA DE CENTRO  
FERRARA



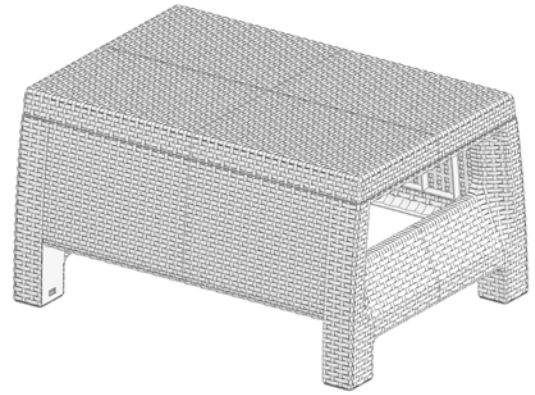
### ASSEMBLY PARTS / PIEZAS DE ENSAMBLE



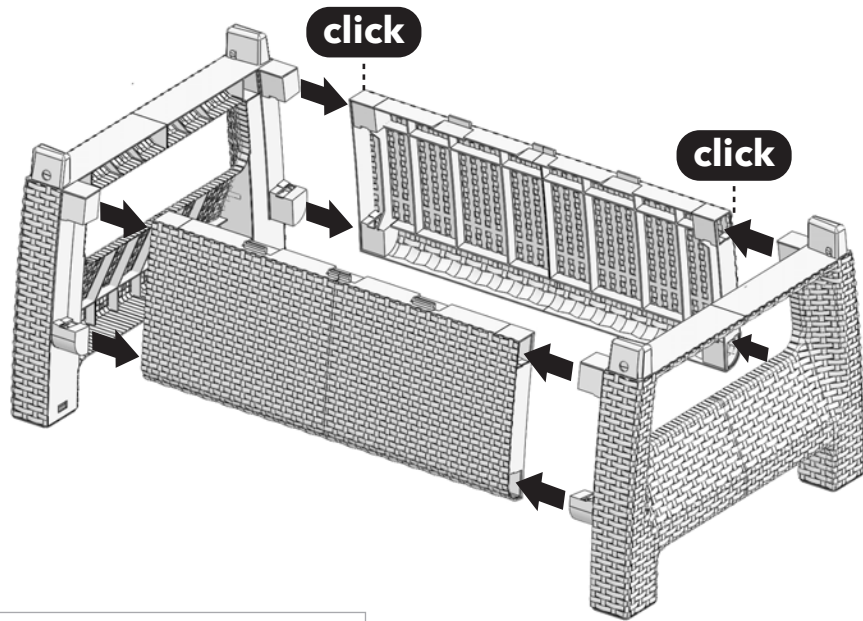
Not suitable for rain or snow, not suitable for permanent weathering since the variations and inclemencies of the time can affect it. This product has not been manufactured to withstand strong exposure to rain and wind.

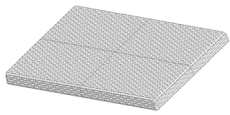
No apto para la lluvia o nieve, no apto para intemperie permanente ya que las variaciones e inclemencias del tiempo lo pueden afectar. Este producto no ha sido fabricado para resistir exposición a fuertes lluvias y viento.

# CENTER TABLE ASSEMBLY / ENSAMBLE MESA DE CENTRO



**1**  Lx2 FBx2

This block contains the first step of the assembly. On the left, a large white number '1' is on a black background. To its right, there are two small 3D models: a rectangular frame component labeled 'Lx2' and a rectangular panel component labeled 'FBx2'.

**2**  Cx1

This block contains the second step of the assembly. On the left, a large white number '2' is on a black background. To its right, there is a small 3D model of a square top component labeled 'Cx1'.